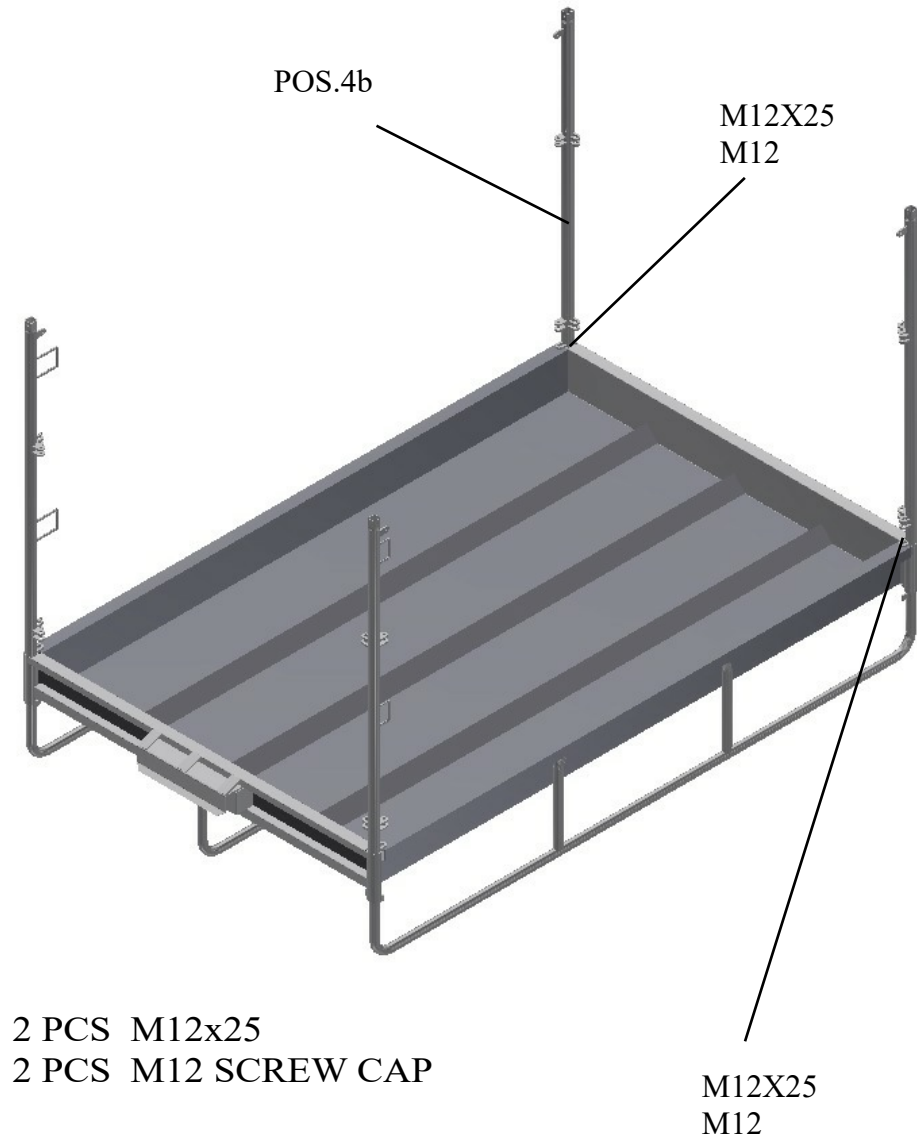
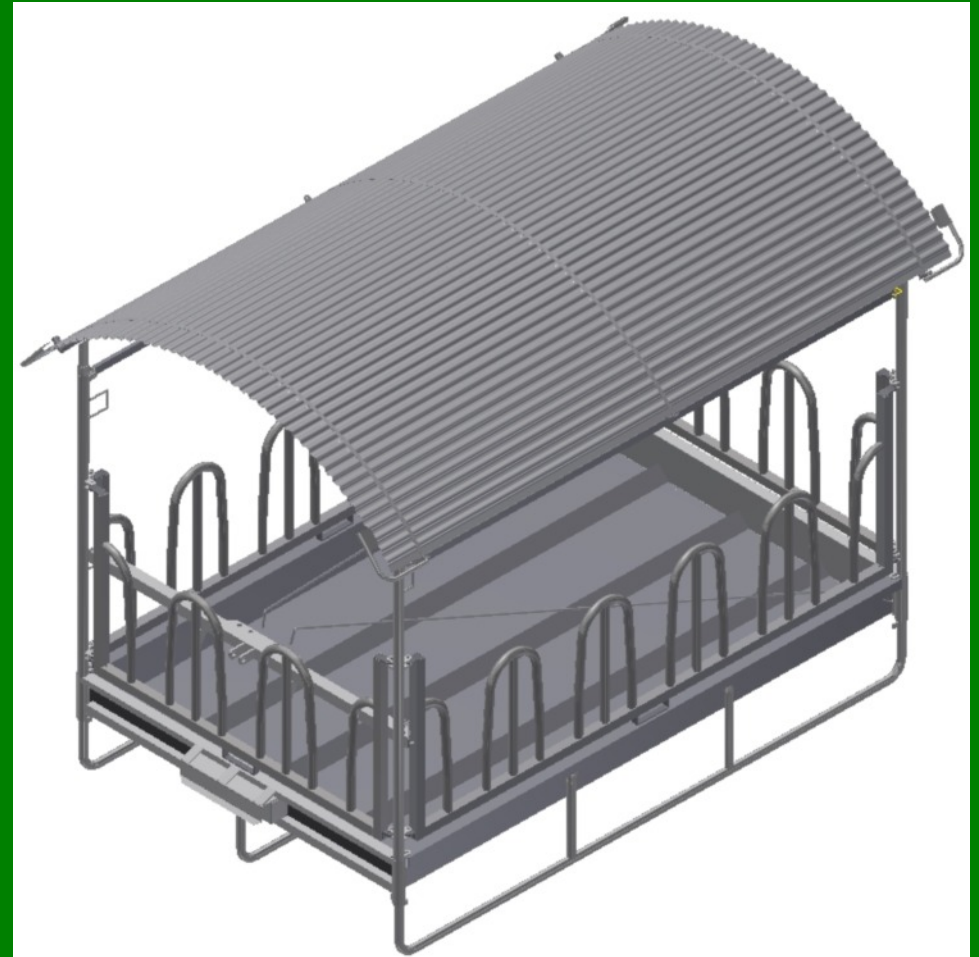


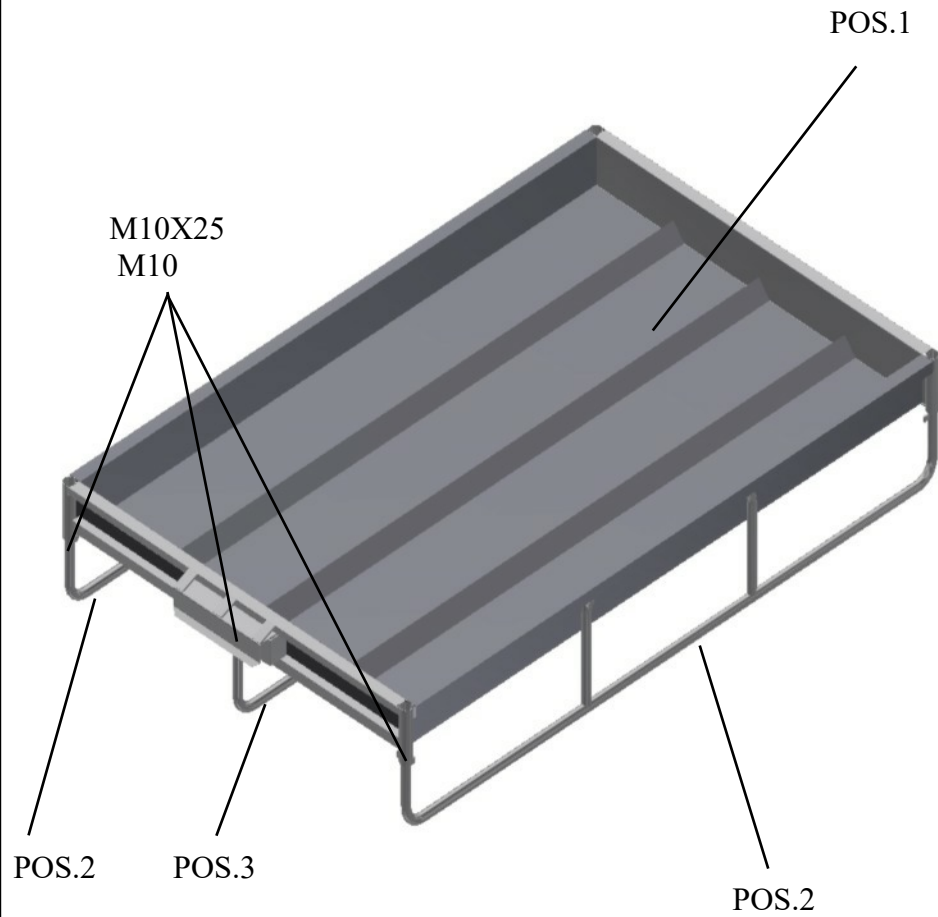
POSTS INSTALLATION



INSTALLATION INSTRUCTIONS Feeding rack M4/16 2x3



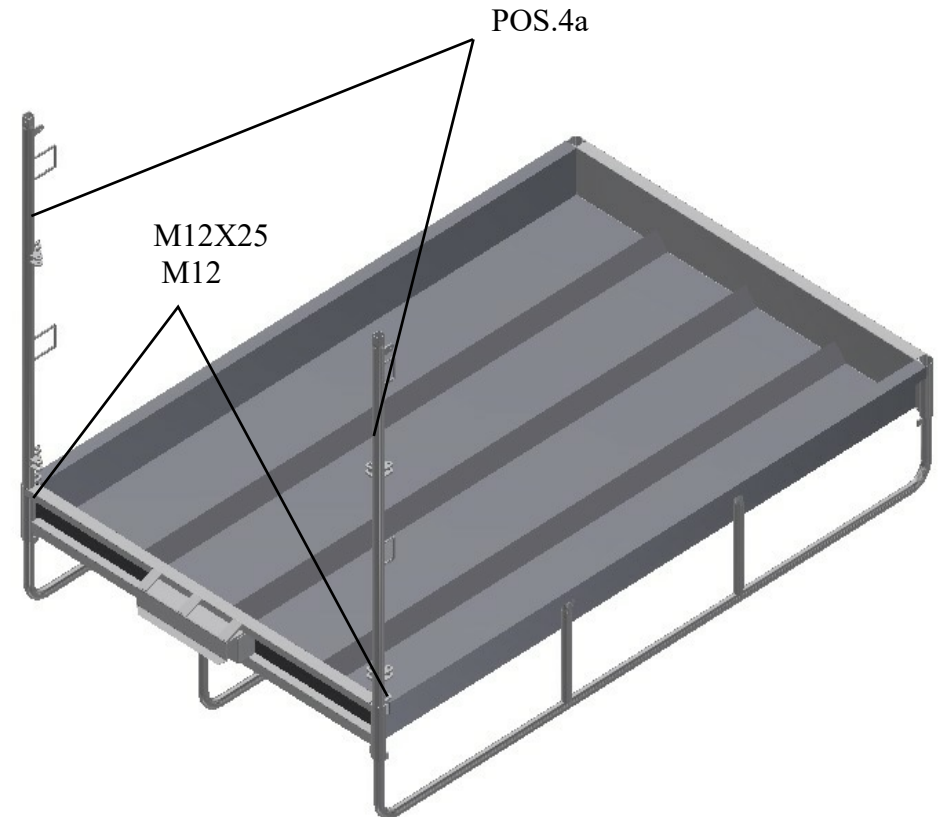
BOBS INSTALLATION



6 PCS M10x25
6 PCS M10 SCREW CAP

2

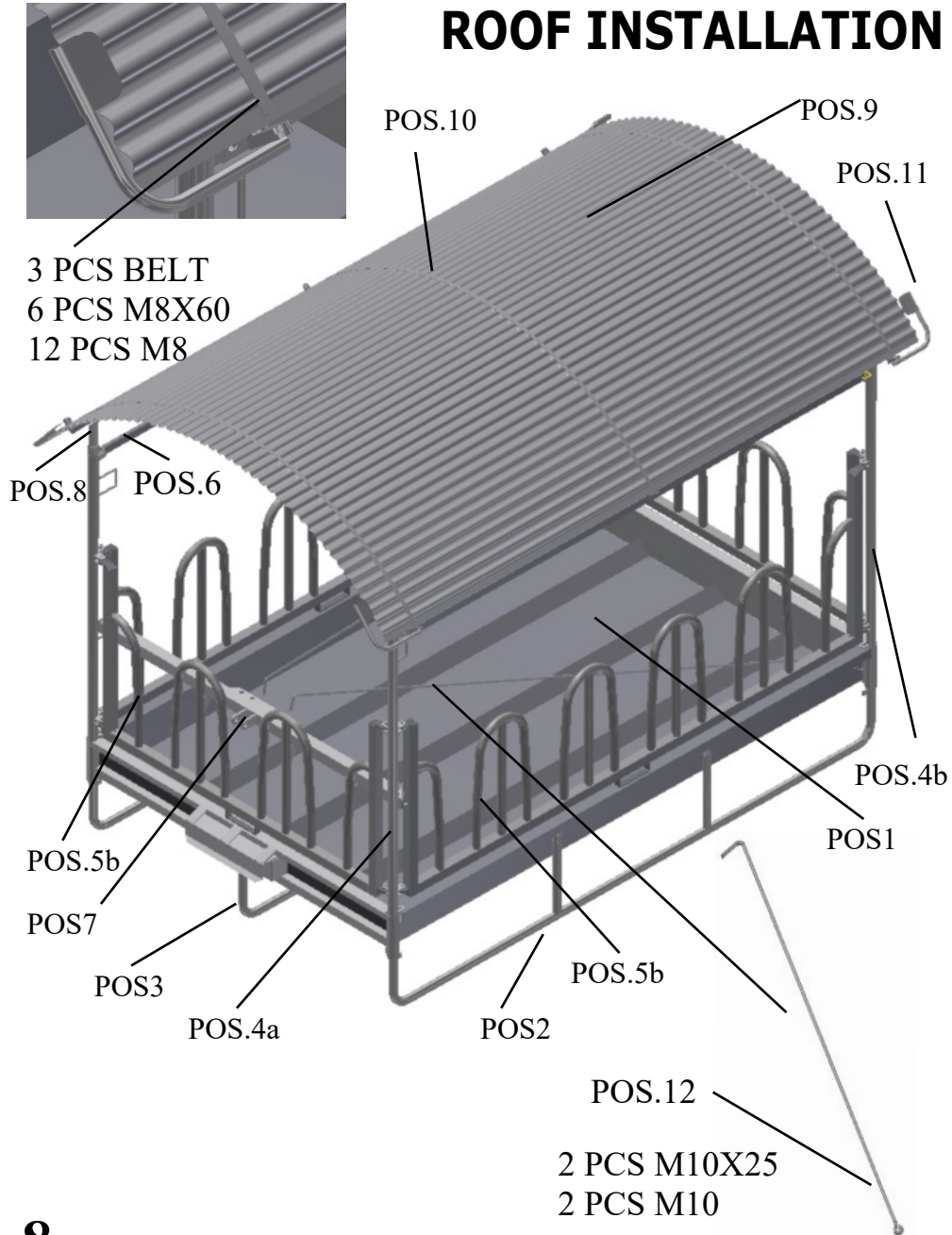
POSTS INSTALLATION



2 PCS M12x25
2 PCS M12 SCREW CAP

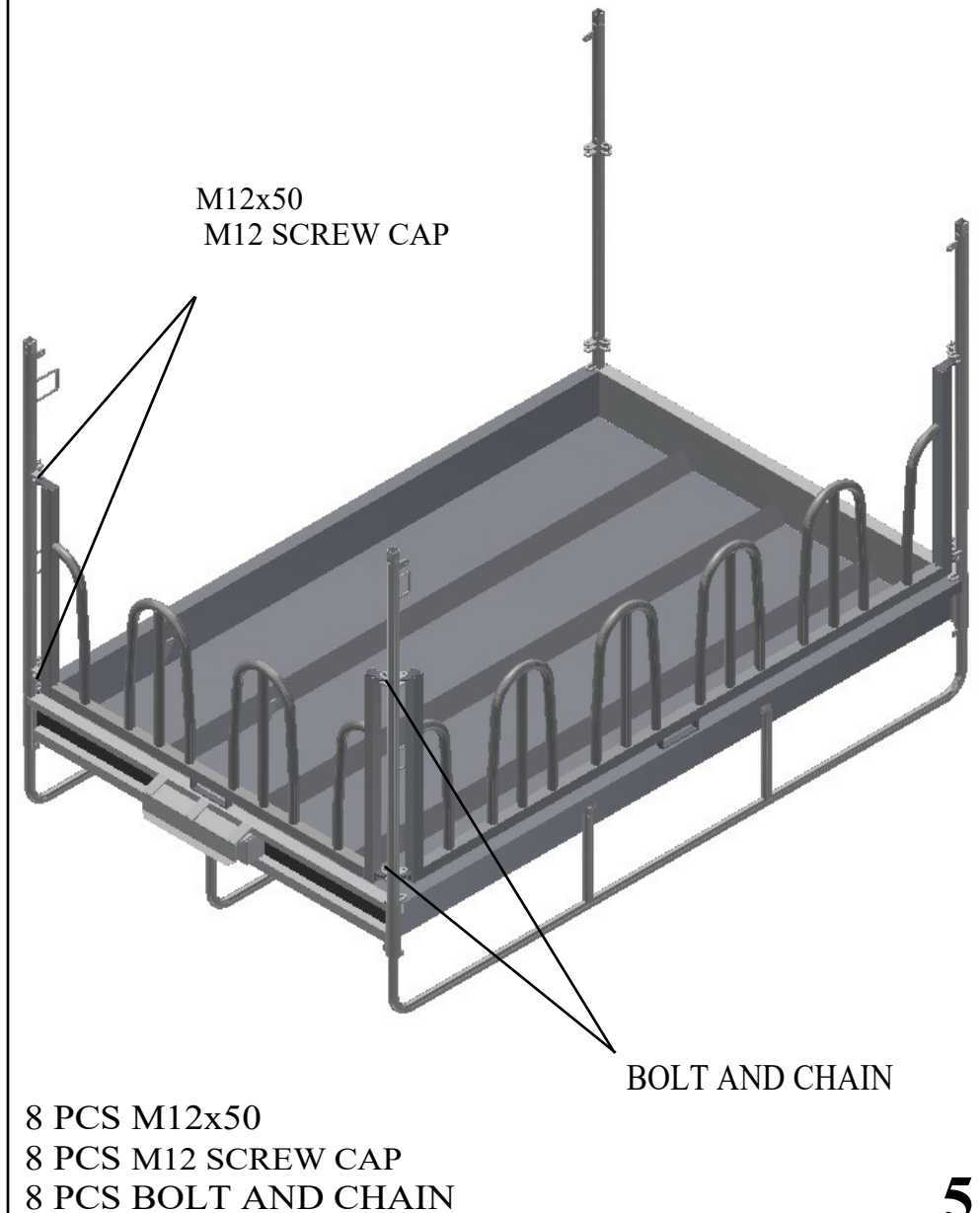
3

ROOF INSTALLATION



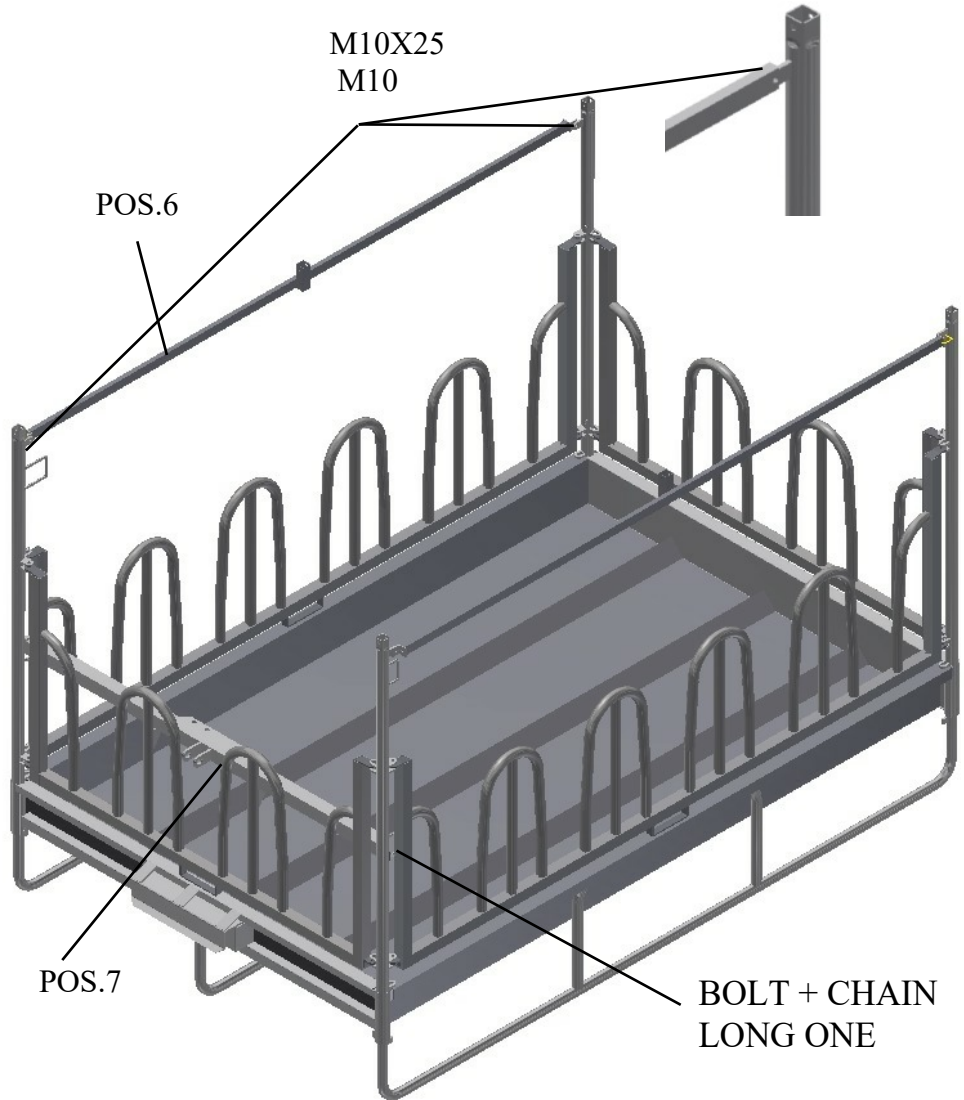
8

SIDE INSTALLATION



5

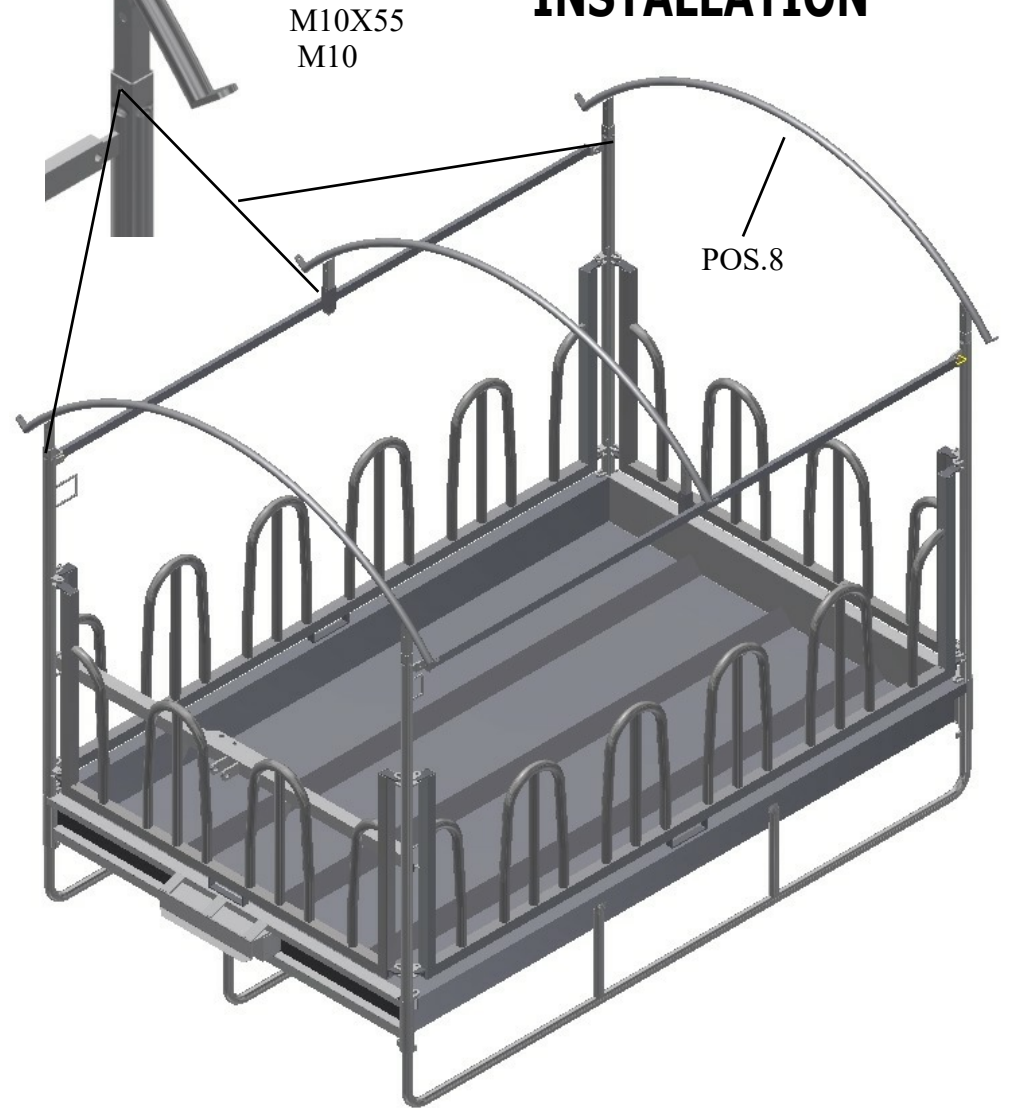
REINFORCEMENT INSTALLATION



- 4 PCS M10x25
- 4 PCS M10
- 1 PCS BOLT + CHAIN(LONG ONE)

6

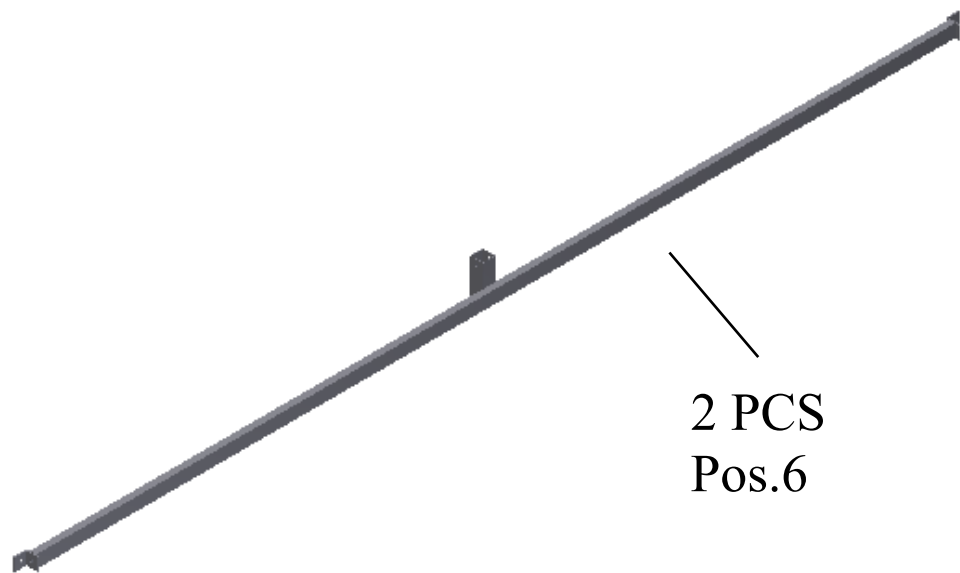
BOW COLLECTORS INSTALLATION



- 6 PCS M10x55
- 6 PCS .M10

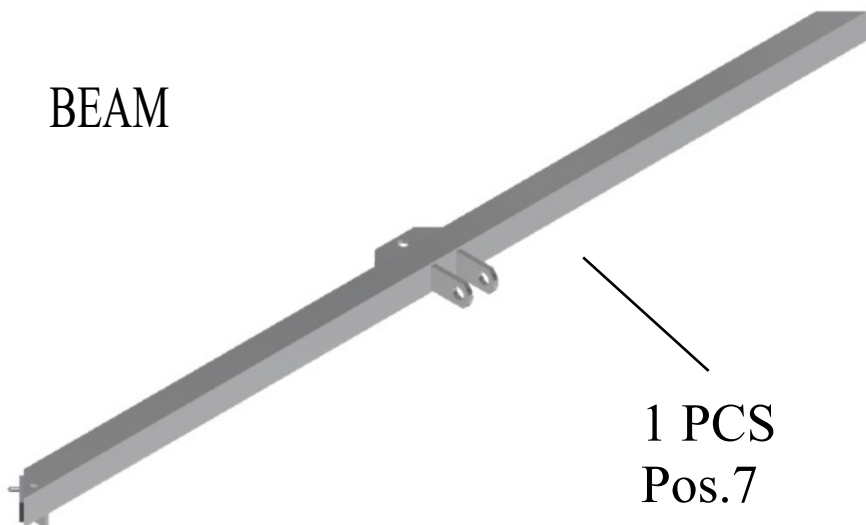
7

REINFORCEMANT



2 PCS
Pos.6

BEAM



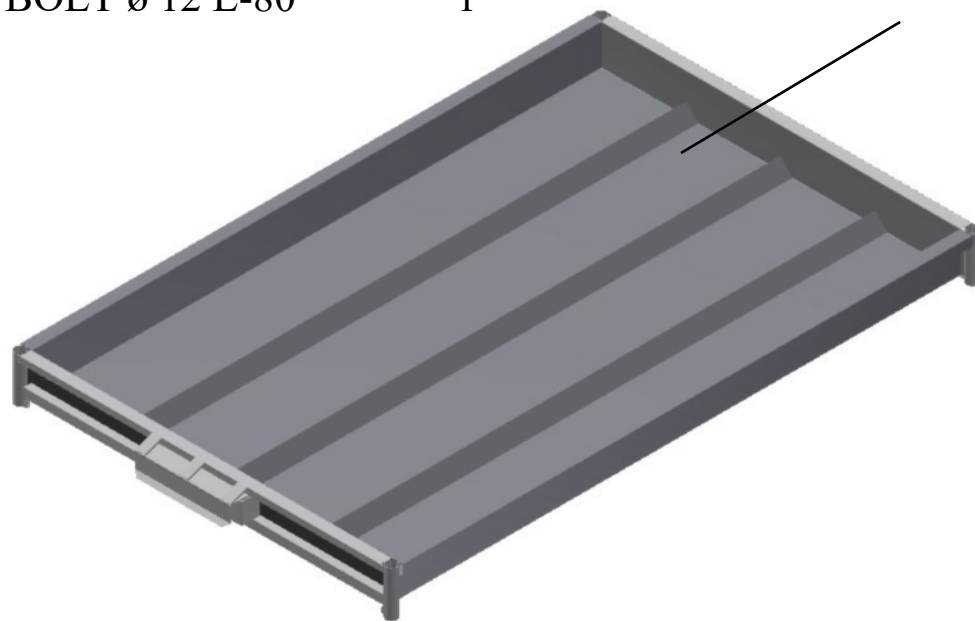
1 PCS
Pos.7

12

M4/16

M10 X 25	14
M10 X 55	6
M12 X 25	4
M12 X 50	8
M10	20
M12	4
M12	8
M8	12
M8 X 60	6
BOLT \varnothing 12 L-60	8
BOLT \varnothing 12 L-80	1

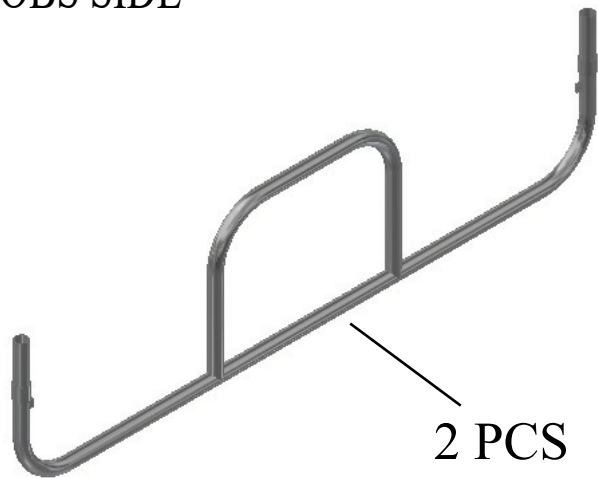
1 PCS
Pos.1



Floor
feeding Rack

9

BOBS SIDE

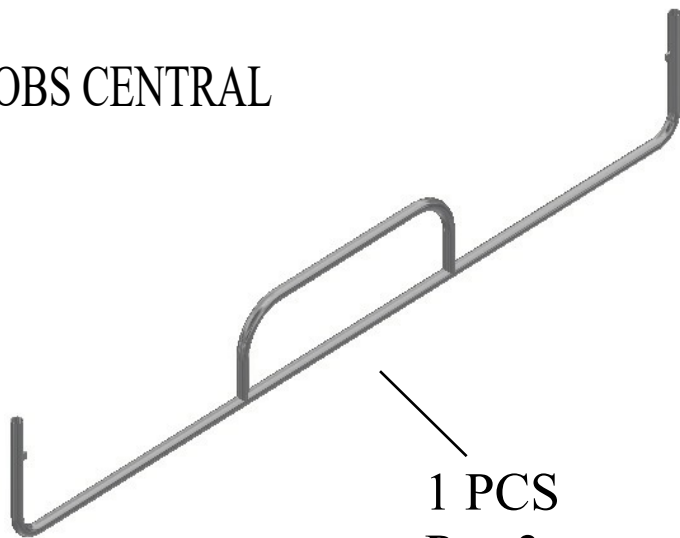


2 PCS
Pos.2

POSTS



BOBS CENTRAL



1 PCS
Pos.3

2 PCS
Pos.4a

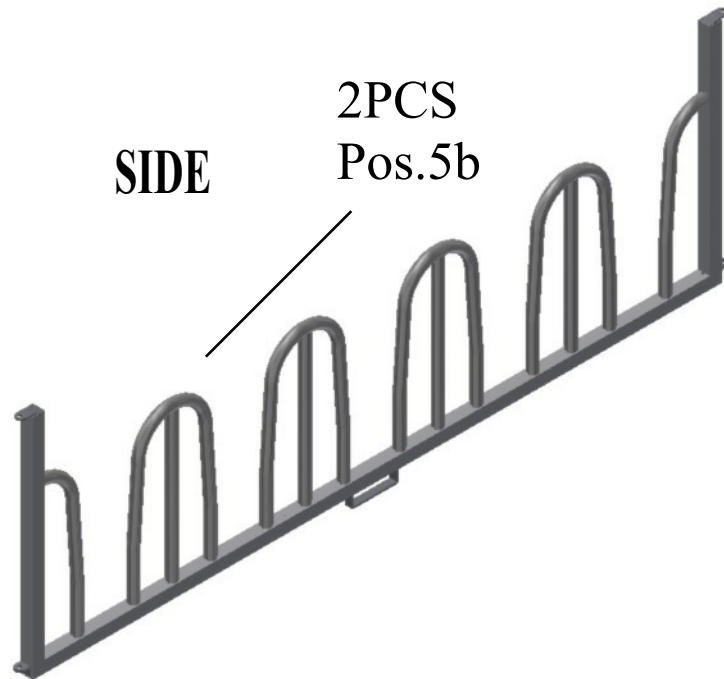
10

POSTS



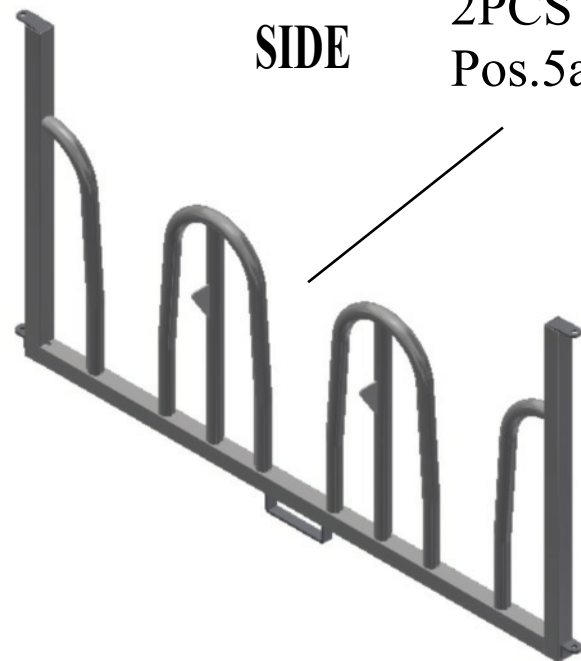
2 PCS
Pos.4b

SIDE



2PCS
Pos.5b

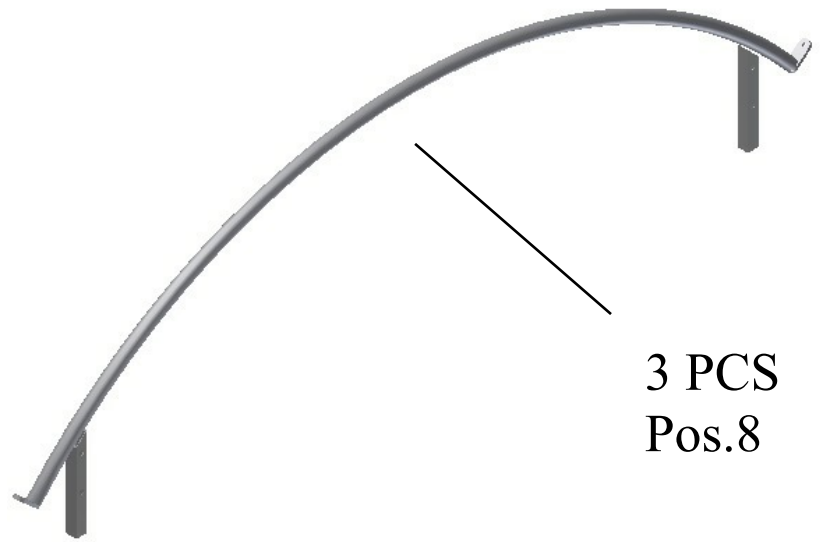
SIDE



2PCS
Pos.5a

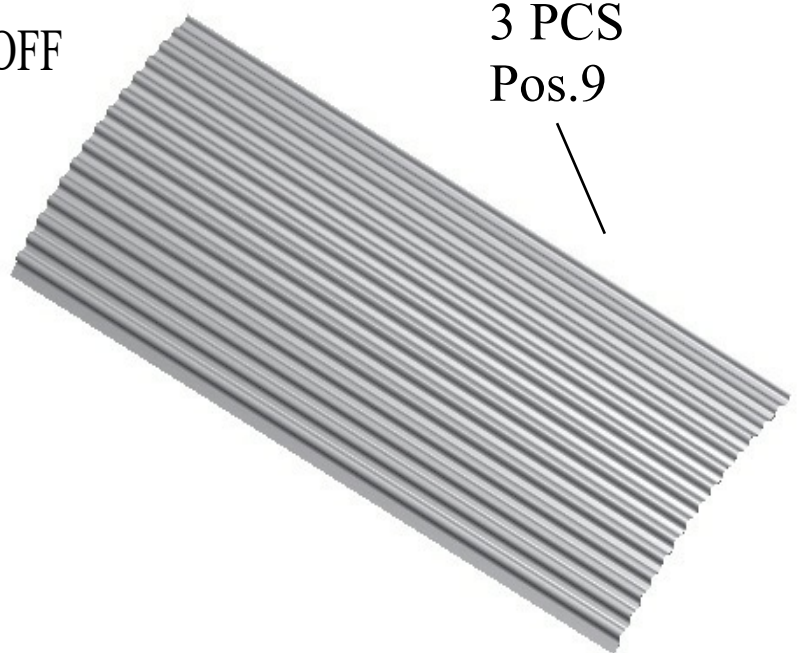
11

BOW COLLECTORS



3 PCS
Pos.8

ROOFF



3 PCS
Pos.9

BAND ROOFF

3 PCS
Pos.10



HOOK

2 PCS
Pos.12



ROOFF

4CS
Pos.11



14

15